

STEP & OFFSET HINGES

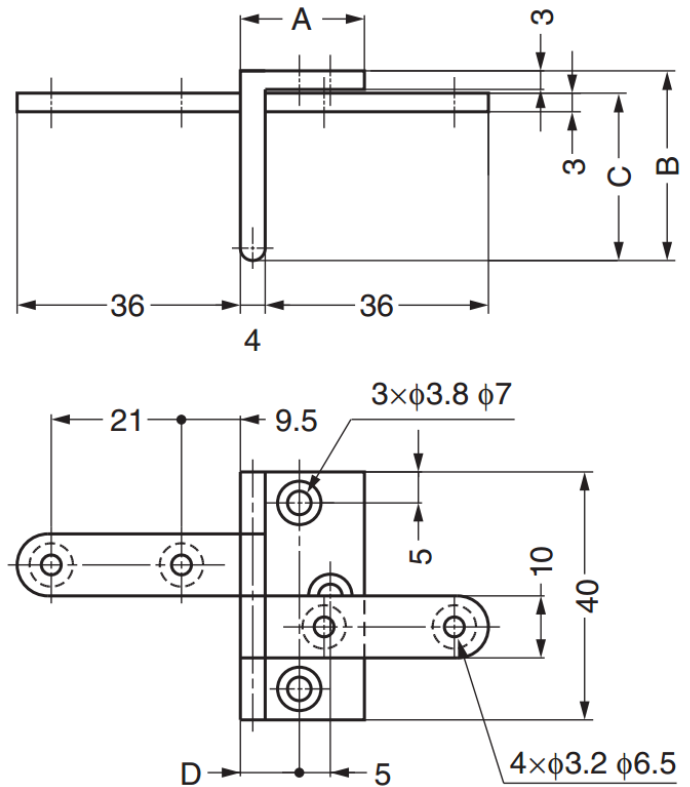
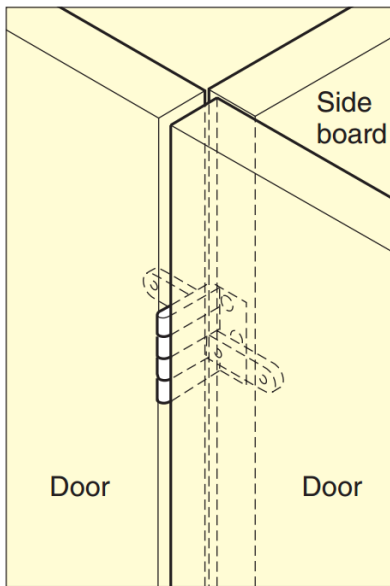
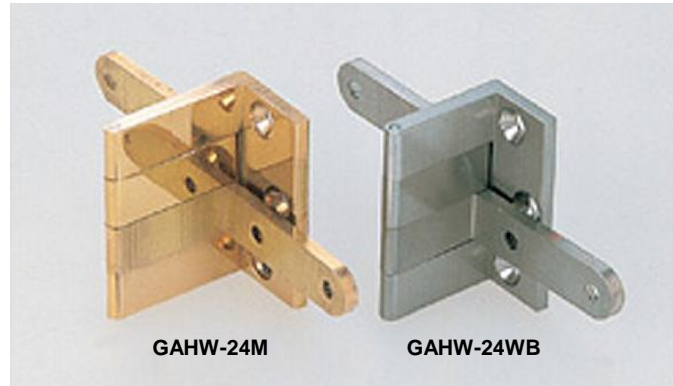
GAHW Brass Overlay Door Angle Hinge

Material

- Brass, satin nickel or polished finish

Notes

- Recommended to be used in pairs



Part No.	Finish	A	B	C	D	Door Width	Door Height	Door Thickness	Door Weight
GAHW-20M	Polished	17	26.5	22.5	8	Max. 450	Max. 700	20	Max. 2.6 kg / pair
GAHW-20WB	Satin Nickel								
GAHW-24M	Polished	20	30.5	27	9.5			24	
GAHW-24WB	Satin Nickel								